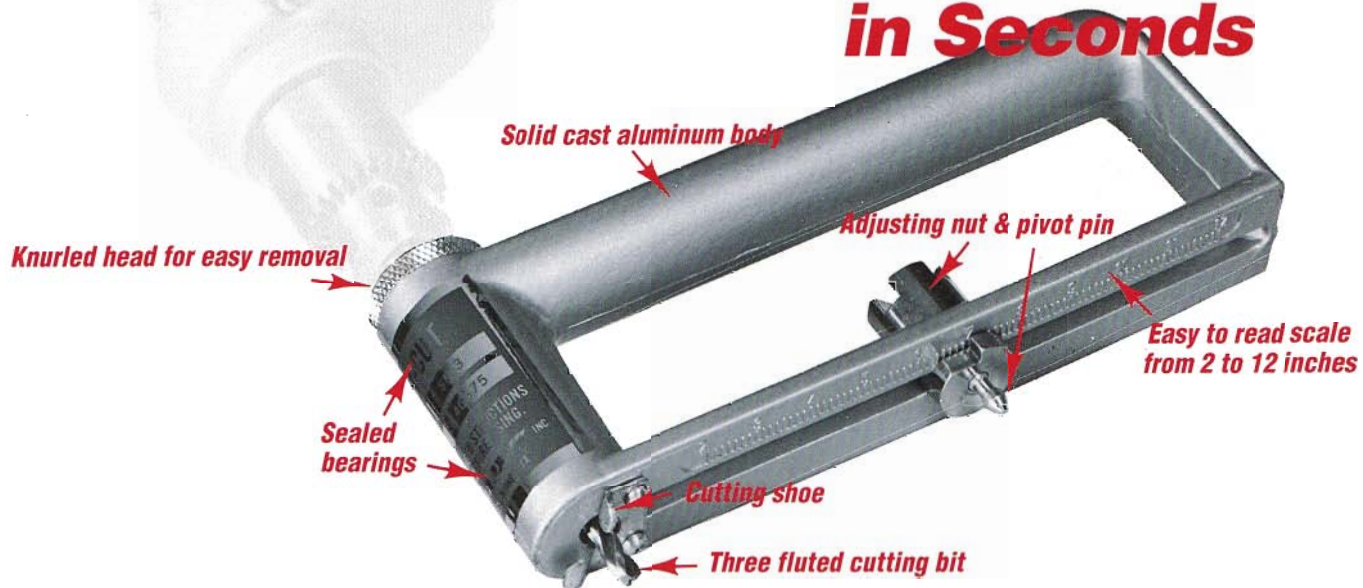


SNAPPY®

MULTI-CUT HOLE CUTTER

Model SM-3 Cuts Perfect Holes in Seconds



- Saves time (especially when several same size holes are being cut)
- Cuts holes up to 12" in diameter
- Will cut light gauge metal, aluminum, plastics, formica...
- Replaceable three fluted cutting bit

THIS TOOL IS A MUST...

Heating
Plumbing
Plastics

Cooling
Carpentry
Engineering

Electrical
Manufacturing
Hobbyist

OPERATING INSTRUCTIONS:



#1 Set Diameter Required
And Drill Center Hole



#2 Insert Pivot Pin, Drill Second
Hole, Begin Cutting Clockwise



#3 At Halfway Mark, Change
Position of Hand



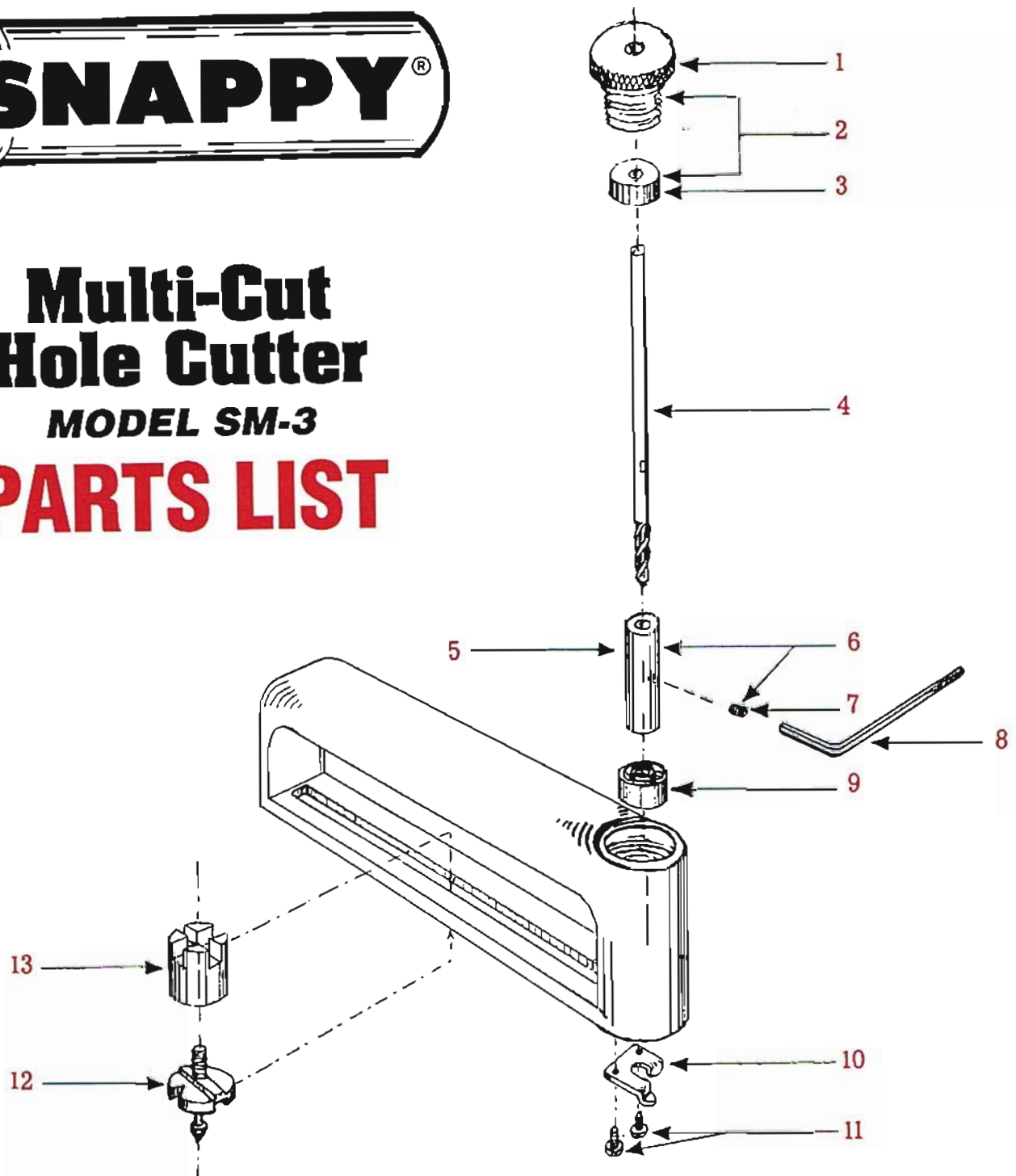
#4 Use Foot Guide To Complete
Hole

PLEASE NOTE:

Leaning the tool back slightly will improve cutting speed and ease of operation. Excessive pressure could cause bit damage. Only Snappy cutting bits and replacement parts are recommended.



Multi-Cut Hole Cutter MODEL SM-3 PARTS LIST



- 1 CAP, W/O BEARING
- 2 CAP, W/BEARING
- 3 TOP BEARING
- 4 STANDARD BIT FOR SM-3
- 5 SPACER
- 6 SPACER, W/SET SCREW
- 7 SET SCREW FOR SPACER.

- 8 ALLEN WRENCH
- 9 BOTTOM BEARING
- 10 CUTTING SHOE
- 11 SCREWS FOR CUTTING SHOE (SET)
- 12 PIVOT PIN
- 13 PIVOT PIN NUT



Detroit Lakes, MN
Northglenn, CO
Milwaukie, OR

800-328-2044
800-552-4582
800-300-1660

Philadelphia, PA
Medina, NY
Bartonville, IL

800-229-0021
800-447-1674

Powder Springs, GA
Hattiesburg, MS

800-888-4391
800-477-2526